



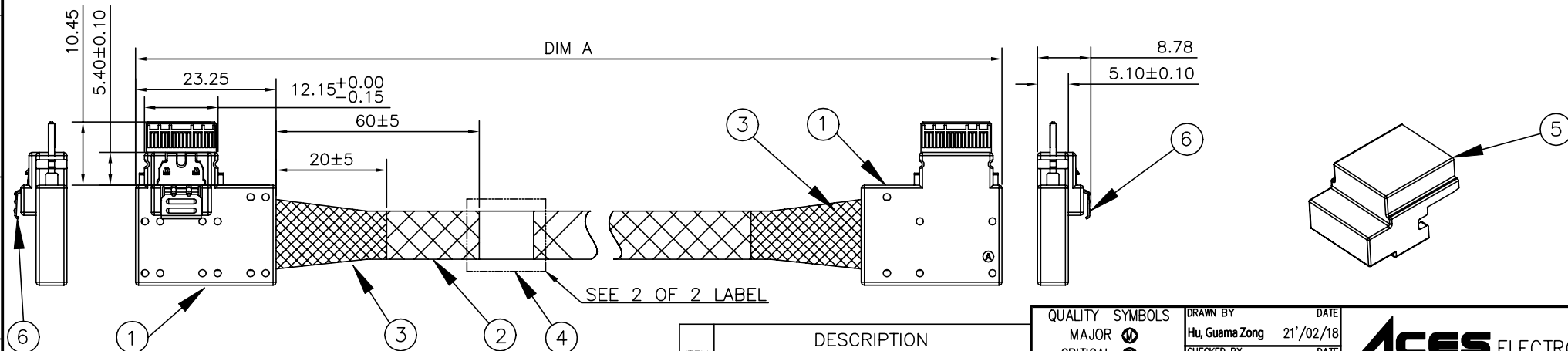
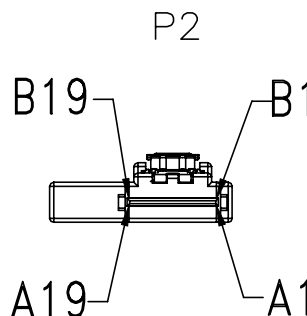
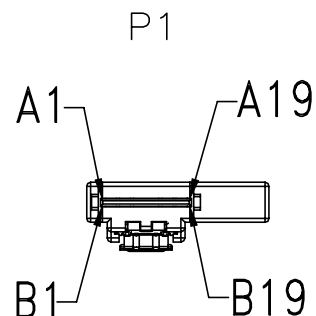
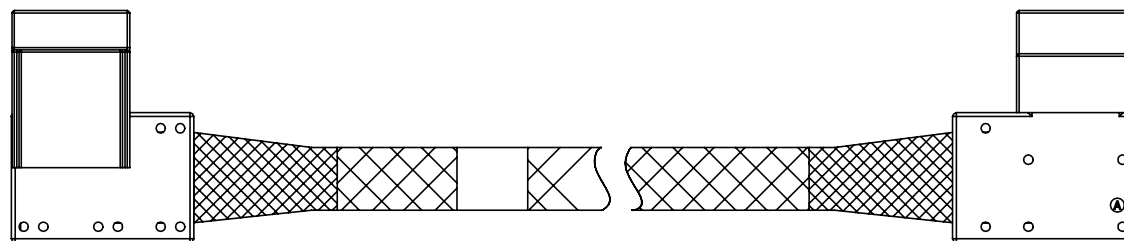
NOTES:

1. ALL CABLE 100% OPEN, SHORT, MISS WIRE & TRANSIENT FAULT TEST.
2. CONDUCTIVE RESISTANCE: 2Ω MAX.
3. INSULATION RESISTANCE: 10M Ω MIN WITH 200Vac AT 10ms.
4. HIGH FREQUENCY TEST MUST COMPLY WITH SAS 4.0 REQUIREMENT.  
CONNECTOR IMPEDANCE: 100Ω ±15Ω  
CABLE IMPEDANCE: 100Ω ±10Ω
5. ALL MATERIAL AND PROCESS MUST MEET THE REQUIREMENT OF RoHS2.0
6. PRODUCT SPEC. REFER TO PS-728XX-02XXX-XXX
7. PDR NUMBER:

100Ω 32AWG:APP1100086

8. PART NUMBER:

728XX-XX XXX - XXX		CUSTOMER CODE
SERIES CODE		001:ACES
20:4i LSE/LSE 100Ω		
PORT NUMBER	SERIAL NUMBER	
02:2PORT	001	



ITEM	DESCRIPTION	Q'TY	UNIT
1	SLIMLINE 4i LEFT SIDE 100Ω & SLIMLINE 4i LEFT SIDE OUT 100Ω.	2	PCS
2	EXPANDO TUBE.	A/R	MM
3	ACETATE TAPE COLOR: BLACK.	A/R	MM
4	LABEL.	A/R	MM
5	DUST COVER, PE, COLOR: WHITE.	2	PCS
6	LATCH.	2	PCS

72820-02001-001	PART NUMBER
1000±15	DIM A

QUALITY SYMBOLS  
MAJOR Ⓢ  
CRITICAL Ⓢ

GENERAL TOLERANCES (UNLESS SPECIFIED)  
X. ±0.5  
.X ±0.25  
.XX ±0.15  
.XXX ±0.1  
ANGLES ±2°

DRAWN BY	DATE
Hu, Guama Zong	21'/02/18
CHECKED BY	DATE
Chen, Ching Jung	21'/02/18
APPROVED BY	DATE
Chen, Ching Jung	21'/02/18
UNITS	SCALE
mm	1 : 1
SHEET NO.	REV
1 OF 2	A

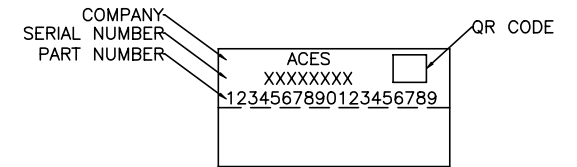
**ACES ELECTRONICS**

**FP SLIMSAS 4.0 4i LSE 100 Ω**  
**TO SLIMSAS 4.0 4i LSE 100 Ω**

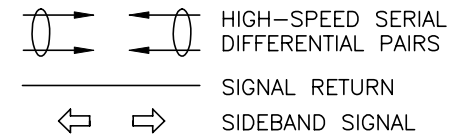
RFQ NO. N/A  
DWG NO. 72820-02001-001



WIRING LIST					
END P1 (FOR CONTROLLER)			END P2(FOR BLACKPLANE)		
POSTION	SYMBOL		POSTION	SYMBOL	
B19	GROUND	—	A19	GROUND	
B18	Tx3-		A18	Rx3-	
B17	Tx3+		A17	Rx3+	
B16	GROUND	—	A16	GROUND	
B15	Tx2-		A15	Rx2-	
B14	Tx2+		A14	Rx2+	
B13	GROUND	—	A13	GROUND	
B12	SIDEBAND		A12	SIDEBAND	
B11	SIDEBAND		A11	SIDEBAND	
B10	SIDEBAND		A10	SIDEBAND	
B9	SIDEBAND		A9	SIDEBAND	
B8	SIDEBAND		A8	SIDEBAND	
B7	GROUND	—	A7	GROUND	
B6	Tx1-		A6	Rx1-	
B5	Tx1+		A5	Rx1+	
B4	GROUND	—	A4	GROUND	
B3	Tx0-		A3	Rx0-	
B2	Tx0+		A2	Rx0+	
B1	GROUND	—	A1	GROUND	
A19	GROUND	—	B19	GROUND	
A18	Rx3-		B18	Tx3+	
A17	Rx3+		B17	Tx3-	
A16	GROUND	—	B16	GROUND	
A15	Rx2-		B15	Tx2-	
A14	Rx2+		B14	Tx2+	
A13	GROUND	—	B13	GROUND	
A12	SIDEBAND		B12	SIDEBAND	
A11	SIDEBAND		B11	SIDEBAND	
A10	SIDEBAND		B10	SIDEBAND	
A9	SIDEBAND		B9	SIDEBAND	
A8	SIDEBAND		B8	SIDEBAND	
A7	GROUND	—	B7	GROUND	
A6	Rx1-		B6	Tx1-	
A5	Rx1+		B5	Tx1+	
A4	GROUND	—	B4	GROUND	
A3	Rx0-		B3	Tx0-	
A2	Rx0+		B2	Tx0+	
A1	GROUND	—	B1	GROUND	



LABEL



QUALITY SYMBOLS MAJOR CRITICAL	DRAWN BY Hu, Guama Zong 21'/02/18		
	CHECKED BY Chan, Ching Jung 21'/02/18	DATE 21'/02/18	TITLE <b>FP SLIMSAS 4.0 4I LSE 100 Ω</b> <b>TO SLIMSAS 4.0 4I LSE 100 Ω</b>
GENERAL TOLERANCES (UNLESS SPECIFIED) X. ±0.5 .X ±0.25 .XX ±0.15 .XXX ±0.1 ANGLES ±2°	APPROVED BY Chan, Ching Jung 21'/02/18	DATE 21'/02/18	RFO NO. N/A
	UNITS mm		SIZE A4
SCALE 1 : 1	SHEET NO. 2 OF 2	REV A	